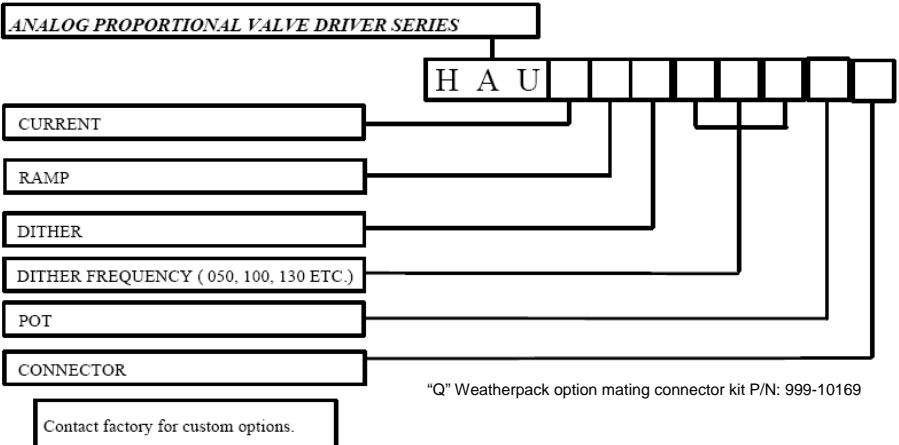




HAU Ordering Guide



CURRENT: Select the lowest current range applicable for 100% output of the valve to be driven.

W = 63 mAmps max.
 X = 125 mAmps max.
 Y = 250 mAmps max.
 Z = 500 mAmps max.
 E = 1.00 Amps max.
 K = 1.67 Amps max.
 G = 3.00 Amps max.
 M = 5.00 Amps max.

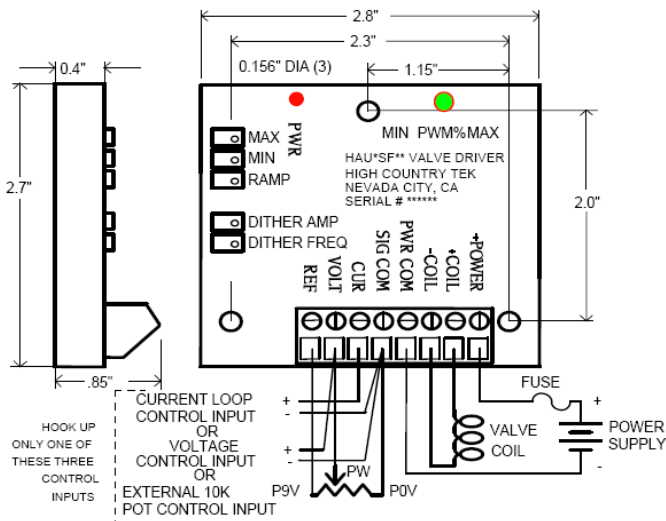
RAMP: Select the number of ramp controls. The ramps pot/s are preset to 0 seconds; no adjustments are required if ramps are not desired.

S = Single ramp pot for all ramps.
 R = Individual ramp pot per direction of coil movement.

DITHER: Select the frequency to dither the valve. xxx if frequency in Hertz. Please use three digits using a leading 0 if required.

N = No Dither added.
 Fxxx = Apply dither frequency of xxx Hertz.
 Pxxx = Set the PWM frequency to be xxx Hertz.

PHYSICAL SIZE & MOUNTING DIMENSIONS



DITHER FREQUENCY (050, 100, 130 ETC.)

POT: Select the type of external potentiometer desired for the valve driver.

No Letter = Standard option a non waterproof pot and knob will be provided. Leave this box blank.

For a waterproof pot, order P/N: 999-10019 separately. Includes a numbered bezel and a knob.

CONNECTOR: Select the method of connection desired.

No Letter = Terminal block, standard option.

Q = WeatherPak Connector Option; A four-pin tower and a four-pin shroud; on six inch leads will be provided.