



Application Note

Wiring DVC Master Modules to Graphical Display Terminals

Model Numbers: D106, D206, D110 & D210

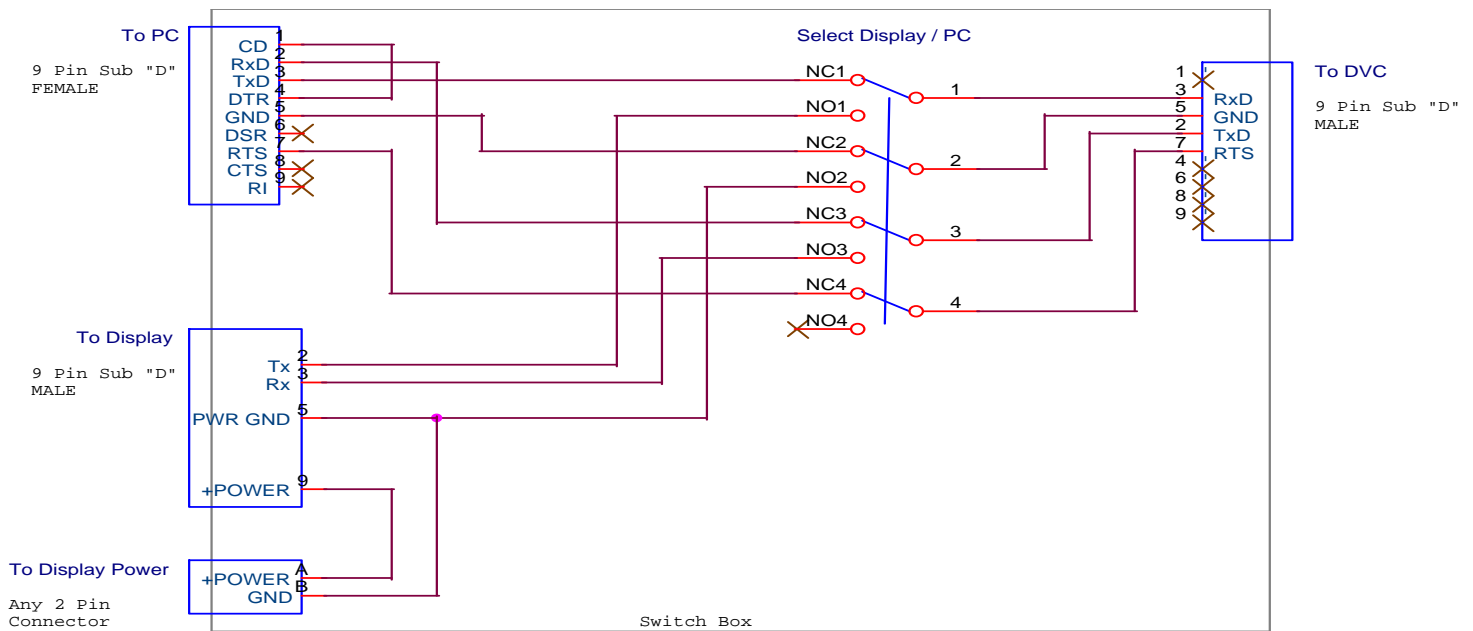
Introduction

There are three options in wiring a DVC Master module to a Graphical Display Terminal.

1. Development or Prototype Cabling; where the user utilizes a switch box to switch the DVC between a PC interface and the Display interface.
2. Production Cabling; the cable is compatible with HCT's standard item 999-10075, RS232 cable and mates with the DVCs standard 4-pin WeatherPak Connector.
3. Production Direct Wiring; pin out.

1. Development or Prototype Cabling

HCT's Display Development Switch Box, 999-10xxx may be used to quickly switch the DVC between the Display Module and the PC. This is particularly helpful during application development allowing the programmer to make and track changes easily.



The above drawing may be used in developing your own switch assembly.



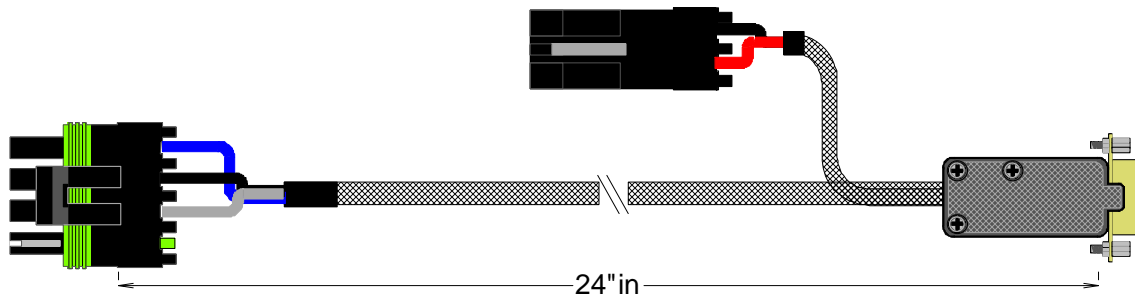
Application Note

Wiring DVC Master Modules to Graphical Display Terminals

Model Numbers: D106, D206, D110 & D210

2. Production Cable HCT PN: 999-10135

The DVC to Display Cable PN: 999-10135 will connect the Graphical Display terminal to a DVC Master Module through the standard DVC 4-pin Weather Pack, RS232 connector used on the DVC connector. The cable assembly is 24" long and has a 9-pin sub D connector for the Display and a 4-pin Weather Pack Connector for the DVC. The display end of the connector has a 2-pin Weather Pack connector mounted on 6" leads to supply power to the display.



3. Production Direct Wiring

For Production wiring where the standard 4-pin Weather Pack connector will not be used on the DVC, the following table may be used to wire the Graphical Display Terminal to the DVC:

DVC	To	Display DB9	To	Power
RxD	-	2		
Sig Com	-	5		
TxD	-	3		
		5	-	B
		9	-	A