



D110 Color Graphical Display

NEW

D110 color graphical touch screen display seamlessly integrates into the DVC product family of programmable controllers with one programming environment

Model: D110, standard unit

Model: D210, sun readable unit



FEATURES

- 640 x 480 pixel, 264 mm (10.4") diagonal display
- Touch screen
- NEMA-4 sealing for hose-down
- -10 to 60 ° C operating temperature
- Real-time clock, programmable speaker
- CE Certified, aluminum housing
- In cab or Sun readable – option
- Power Supply: 8 to 26 VDC, (1.2 Amps @ 12 VDC)
- Programming tool: PC Based

HARDWARE

Display: The LCD display has excellent readability under most lighting conditions and can operate in either portrait or landscape mode. The display is illuminated with a replaceable backlight and provides white lighting for high contrast and easy readability. Brightness of the backlight and contrast are controlled through software.

For applications that require smaller screens, we offer the D106, 320 x 240 pixel, 143 mm (5.6") diagonal display.

Touch Screen: User input occurs through a durable resistive touch screen and via (10) keys located around the display. Touch screen keys are not limited to a certain size of "active" area.

The five soft keys down either side of the display can have unique functions on every screen or have a global function on all screens.

Housing: The D110 offers a rugged, aluminum, panel-mount housing that meets all NEMA-4 specifications for hose-down, icing, and salt spray when mounted in a NEMA-4 panel.

The terminal is designed to be mounted in a hole cut in your panel. No screws are required; a gasket and mounting hardware are included with the unit.

Connectors: The D110 comes standard with one DB9 serial connection.

Speaker: A speaker with software-controlled pitch and duration is included on the rear of the unit.



D110 Color Graphical Display

Power Supply: The D110 includes a switching power supply with a voltage range of 8 to 26 VDC. Power is supplied through the DB9 connector.

Battery-Backed Real-Time Clock: The real-time clock can be used to display the current time on the display, time and date stamp messages of for timed polling and program execution.

Serial Port: The D110 ships with a standard RS232 DB9 serial port for communication with the DVC system.

DVC Diagnostics:

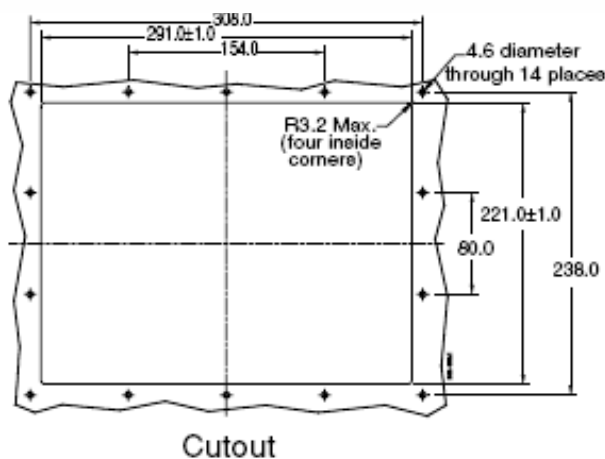
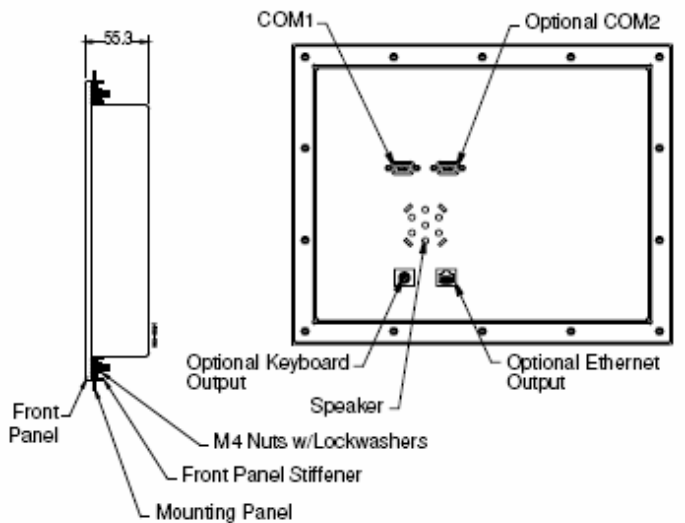
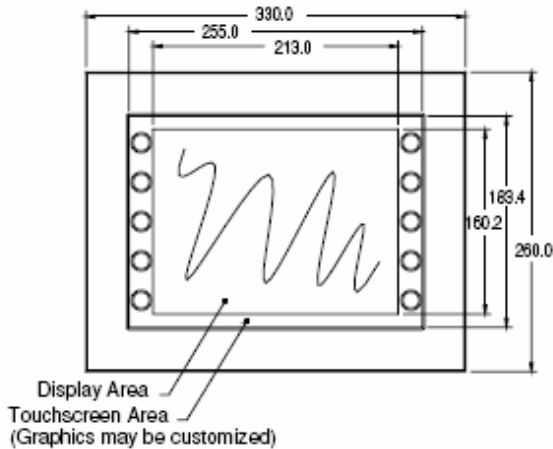
Capability to view the DVC Virtual Display screen for DVC system diagnostics.

SOFTWARE & SETUP

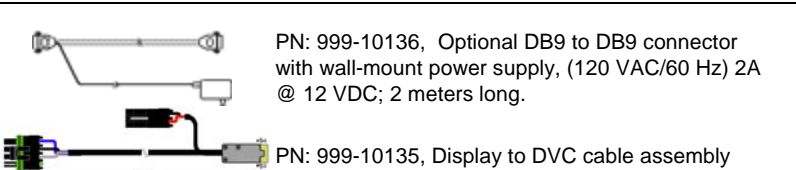
Object-Based Programming Language: Software for the D110 is based on script graphic terminal programming language and is seamlessly integrated with the Intella™ Software Suite.

PHYSICAL

Size:	330 W x 260 H x 56 D mm
Mass:	3.2 Kg
Sealing:	NEMA-4 front panel
Temperature:	Operating: -10 to 60 ° C Storage: -20 to 70 ° C
Humidity:	0 to 95%, non-condensing
Vibration:	5 to 5,000 Hz, 4 g RMS
Shock:	20 g, 3 ms, any axis
Power:	8 to 26 VDC (via RS232)
Certification:	FCC Part 15, Class A CE Certified



Housing and panel-mount dimension (mm)



Model: D110, standard unit

Model: D210, sun readable unit