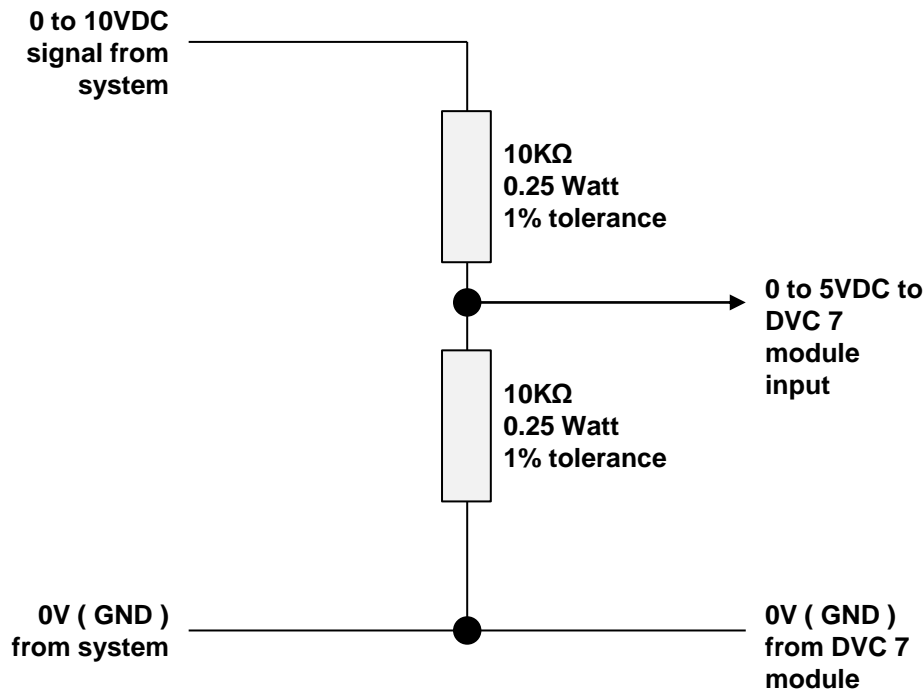


Resistor Voltage Divider circuit -

•Notes:-

1. Use one of these circuits is required for each 0 to 10VDC input used.
2. This circuit will passively convert 0 to +10VDC into 0 to +5VDC for use with the HCT DVC 7 programmable controller.
3. System 0V (GND) and DVC 7 module 'PWR Com' must be connected together
4. Parts available from Radio Shack
5. Mounting suggested at DVC 7 connector for best results.



DVC 7 Pin-out configuration:-

30 PIN METRI-PAK 150

PIN	FUNCTION	PIN	FUNCTION	PIN	FUNCTION
L1	RS232 TXD	P2	ANA 1	T3	DIG 3
L2	RS232 RXD	P3	PWR COM	W1	PWM 1
L3	RS232 RTS	R1	UNI 2	W2	PWM 2
M1	CAN H	R2	ANA 2	W3	HS 5
M2	PWR COM	R3	+5V REF OUT	X1	HS 2
M3	PWR COM	S1	UNI 3	X2	HS 4
N1	CAN L	S2	DIG 1	X3	HS 6
N2	PWR COM	S3	DIG 2	Y1	+POWER IN 1
N3	PWR COM	T1	HS 1	Y2	+POWER IN 2
P1	UNI 1	T2	HS 3	Y3	+POWER IN 3