



High Country Tek, Inc.

Hydraulic Generator Controller - HGC-2

Electronic Control Solutions for the Global Fluid Power Industry



Application Information:

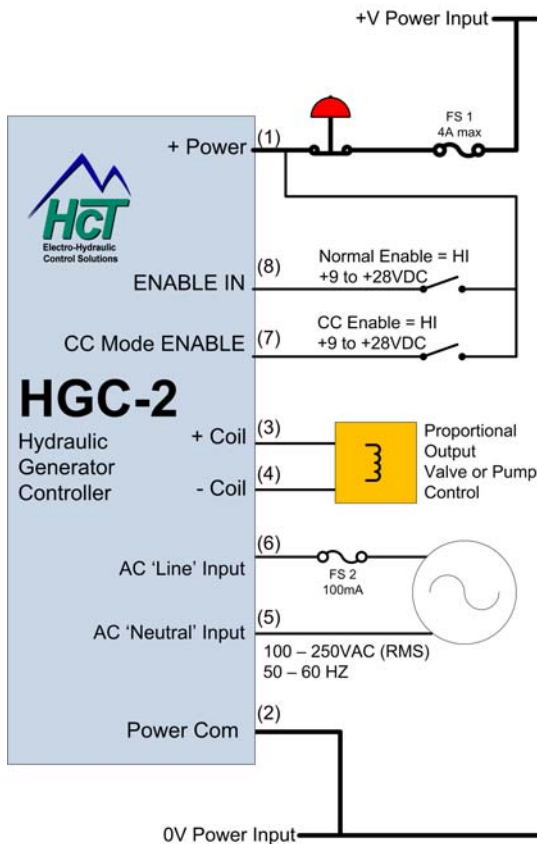
- **Intended for use with Hydraulically driven A.C. voltage generator sets**
- Direct connection to output for 110 to 240VAC feedback signal
- Selectable 50 or 60Hz generator operation (European compatibility)
- Set-up via PC to protect OEM setting values from tampering
- Suitable for all retro-fit, re-power, new and OEM applications

Product Feature Overview:

- Pre-written Windows™ software application, ready for user values
- 1 x PWM output for any make of proportional valve or pump control
- Multiple output current ranges available for best control resolution
- LED diagnostics - error flash code for reduced maintenance
- Heavy duty, Deutsch 8 way DT06 male connector
- Fully encapsulated and sealed to >IP67 / NEMA 6 in flame resistant resin
- Designed to meet CE latest test standards



Electrical Connection Diagrams:



Controller Specification Overview:

Housing Type:-	HCT unique 'encapsulated' block.
Input Supply Voltage:	9 – 28VDC (Absolute Maximum)
Input Supply Current:	Valve Current Setting + 50mA Quiescent (Max)
Feedback Voltage:-	100 to 250VRMS
O/P Current Ranges:-	600mA, 1.2A or 2.5A
Dither Frequency :	Software adjustable, ~50Hz to ~1KHz
Housing Material:-	ABS, black
Wire Connections:-	8 pin Deutsch - DTS06 - Male
Encapsulation:-	Flameproof epoxy resin
Mounting:-	2 x No. 6 (4mm) screws .
Temperature range:-	-20 to +80 °C (operational)
NEMA/IP Rating:	NEMA 6 / 67 (module only)
Operating System:	Windows® XP Professional / Vista Business and Ultimate Compatible
Unit Settings:	All by PC user interface
User PC interface P/No:-	023-00228
USB Communications:	Optical link - Infra-red
Interface Cable P/No:-	999-10166



Hydraulic Generator Controller - HGC-2

Optical Link and User Interface:

The **High Country Tek - HGC-2**, uses an Infra-Red communications link cable for set-up and test. The cable connects to the users PC USB port and is compatible with Windows® XP Professional / Vista Business and Ultimate operating systems. Once physically attached, the user simply starts the Graphical User Interface and enters the appropriate values for the size, kind and frequency required from the generator set.

Please visit our website or request a full data sheet for set-up and test information.

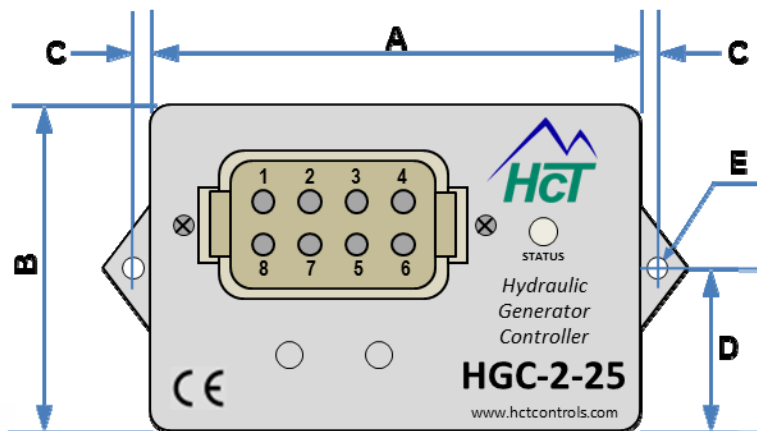
Connector Data:

Terminal	Function
1	+Vin Supply (9 to 28VDC)
2	0V Supply (Common)
3	Proportional Coil + Output
4	Proportional Coil - Output
5	Feedback I/P - AC Neutral
6	Feedback I/P - AC Line
7	Enable - HGC **CC Mode
8	Enable - HGC Normal Mode

****CC = Constant current mode:**
Used for initial controller set-up or where AC feedback may be overly distorted by operation in an electrically noisy environment. See full data sheet for explanation of use.

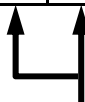
Mating Connector:
Deutsch DT06 - Female
Connector Kit: 999-10073
1 x connector wedge
1 x connector plug
10 x pins-(socket)

Dimensional Data:



Controller Options:

H G C 2 - 1 2



Output Current Range:

06	-	600mA current range
12	-	1200mA current range
25	-	2500mA current range

Note:

The current range chosen represents the maximum current available at the controller output

Label	Inches	Millimeters
A	3.0	76.2
B	2.0	50.8
C	0.25	6.4
D	1.0	25.4
E	0.188	4.80

HCT recommends using 2 x No. 6 (4mm) screws for installation onto a flat bulkhead.

Please contact customer service for further details on this controller or visit our website at the address below.

Need More Information ?

For customer service, pricing, order placement and application support, contact us through E-mail at: info@hctcontrols.com



www.hctcontrols.com

High Country Tek, Inc.
208 Gold Flat Court
Nevada City, CA, 95959
Tel: (1) 530 265 3236
Fax: (1) 530 265 3275



A SUN Hydraulics Company