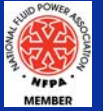




High Country Tek, Inc.

HAU Series 10K Ohm Pot & Knob

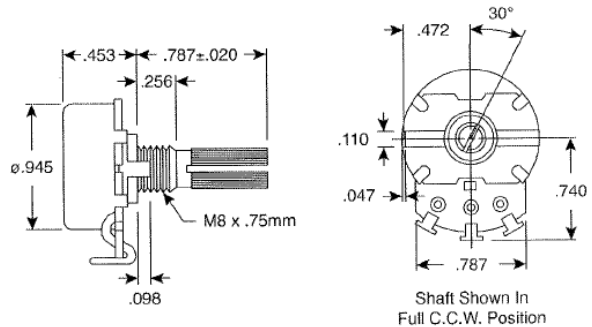
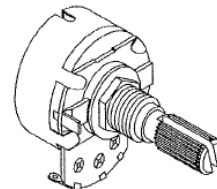
Electronic Control Solutions for the Global Fluid Power Industry



P/N: 206-00036

Specifications:

- 10K Ohm 10 Turn
- Type: 24mm knurled shaft
- Total rotation: 300±5°
- Rotation torque: 20~200gf.cm
- Shaft stop strength: > 6Kgf.cm min.
- Rated power: .5W
- Rated voltage: 500V
- Insulation resistance: > 100MΩ @ 500VDC
- Withstand voltage: 500VAC for 1 minute
- Tap position: 50%(150°)
- Rotation life: 15,000 cycles
- Taper: linear
- RoHS Compliant



P/N: 906-10004 Knob

Specifications:

- Color: Black
- Diameter: 1.04 in (26.4 mm)
- Height: 0.56 in (14.2 mm)



Need More Information ?

For price, delivery and to discuss further options that can help you promote your company while growing and capturing sales, please contact our customer service department or e-Mail us at: info@hctcontrols.com



www.hctcontrols.com

High Country Tek, Inc.

208 Gold Flat Court
 Nevada City, CA, 95959
 Tel: (1) 530 265 3236
 Fax:(1) 530 265 3275